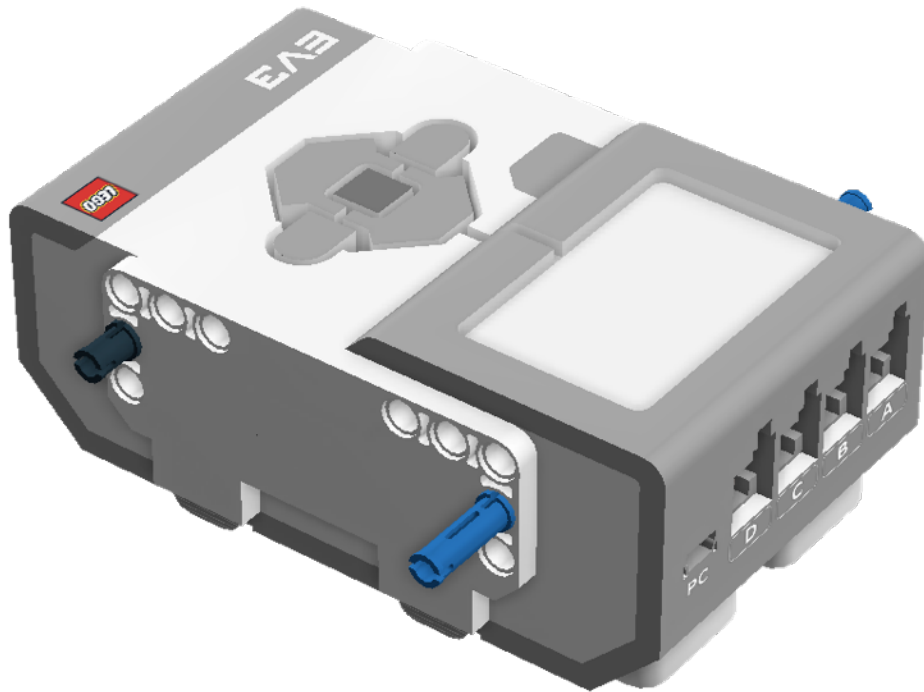
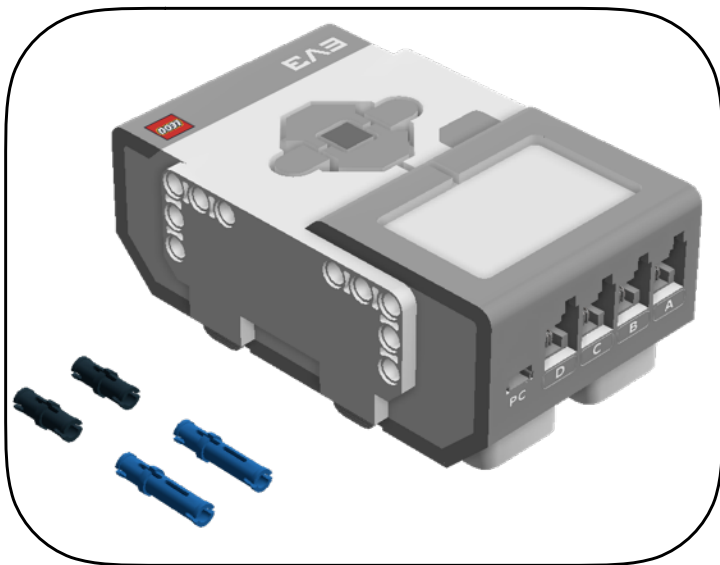
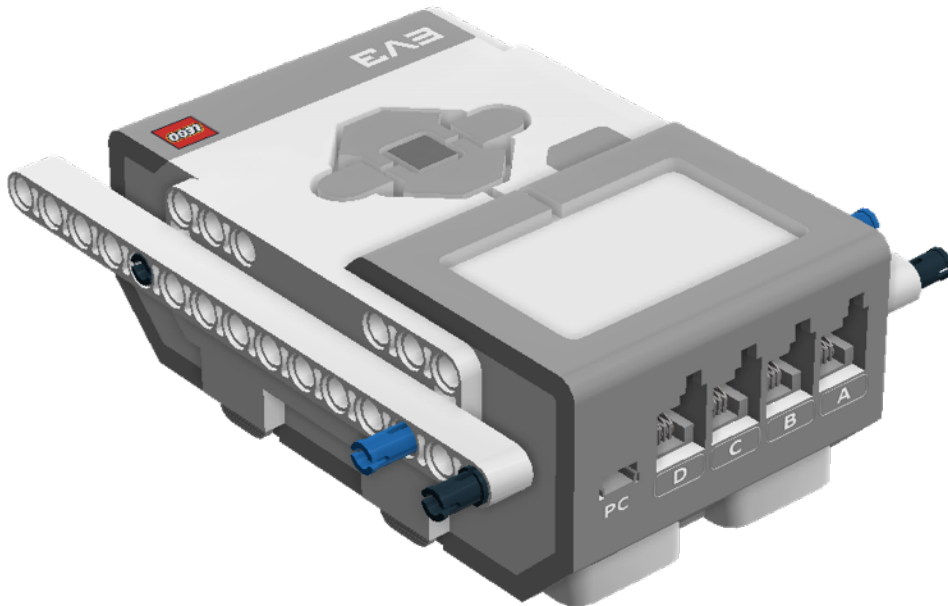
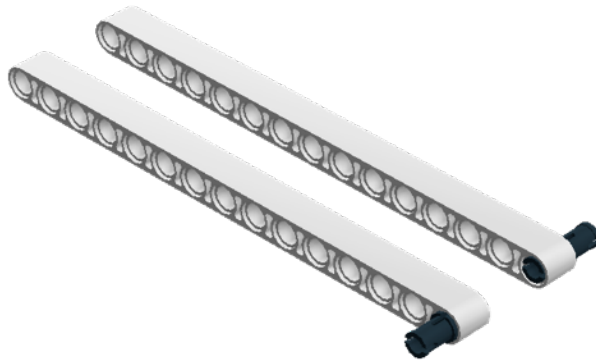
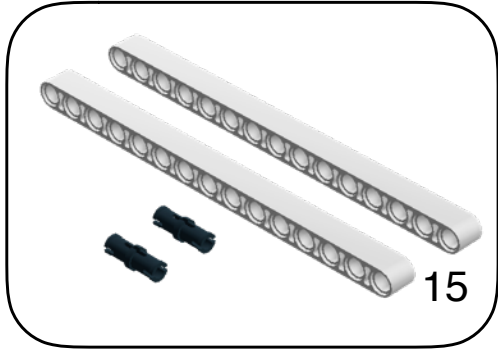
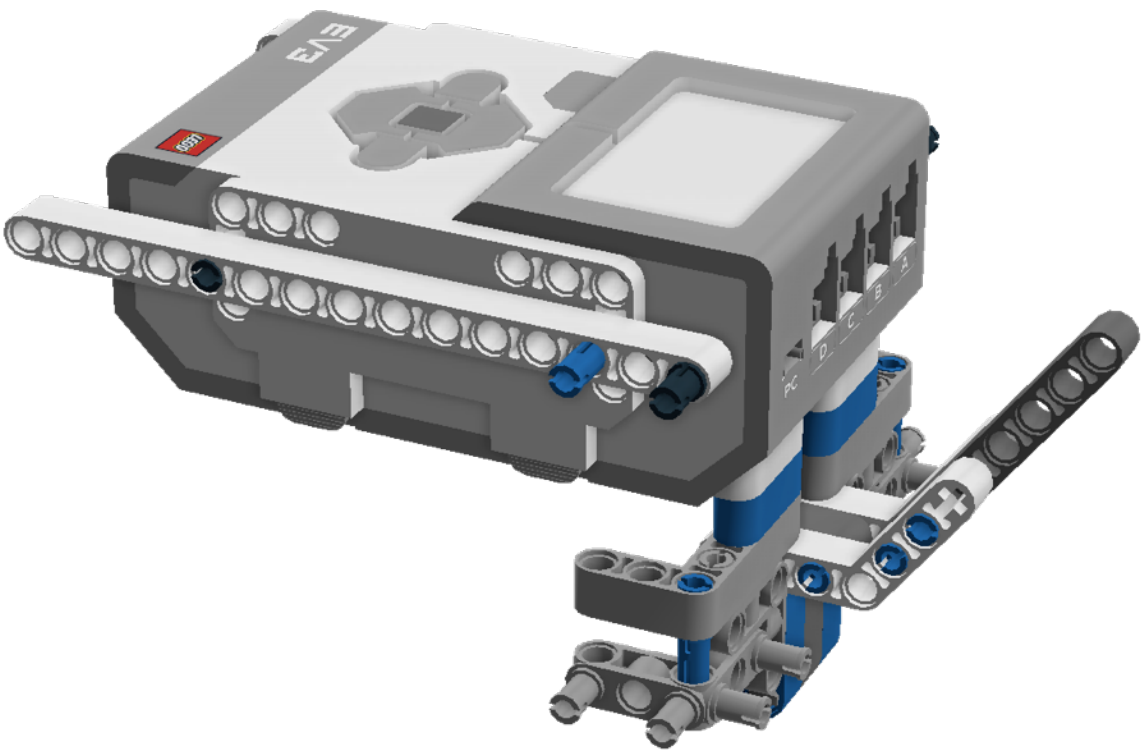
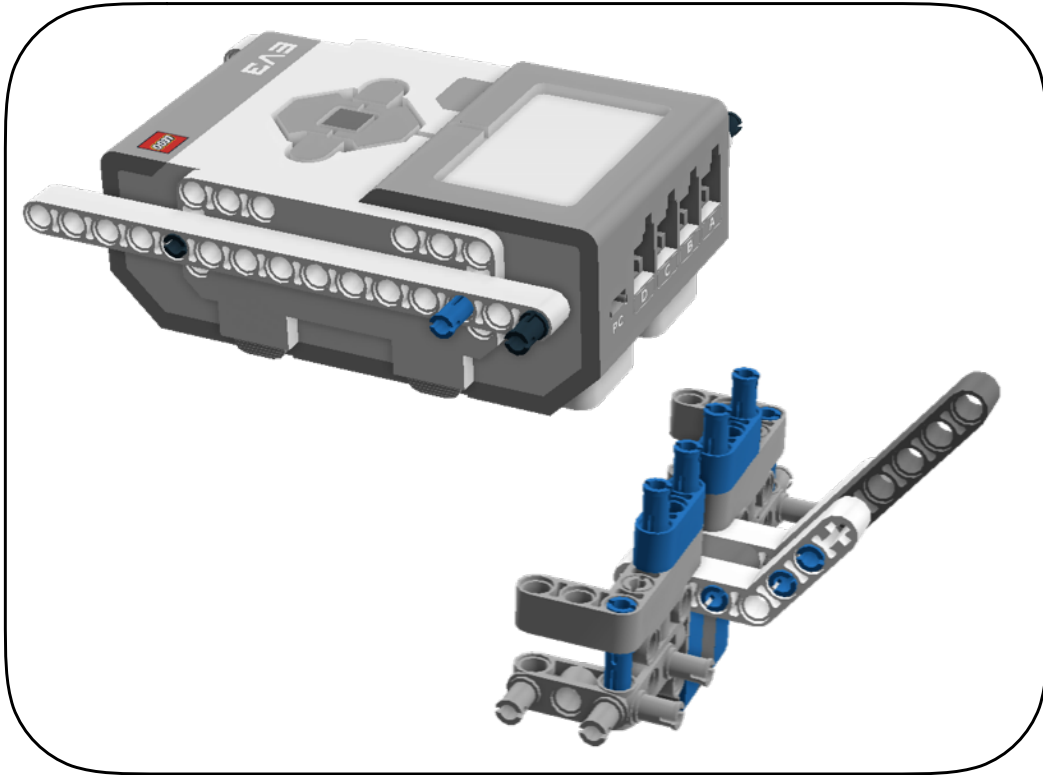
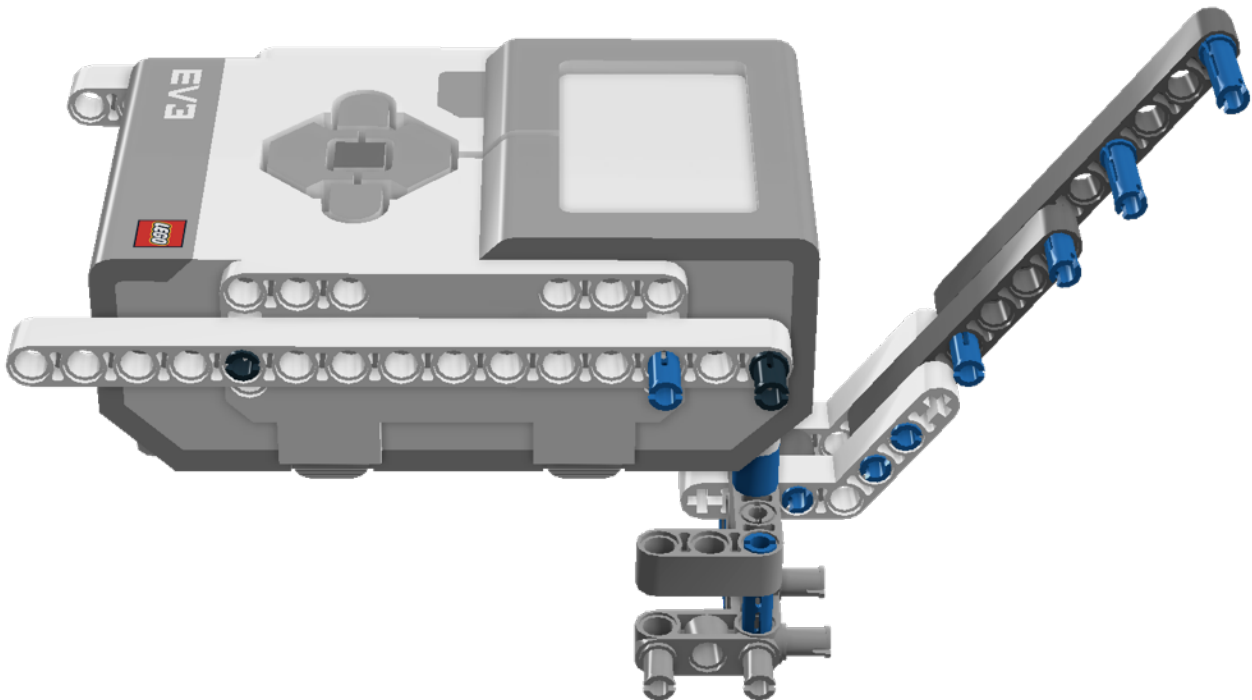
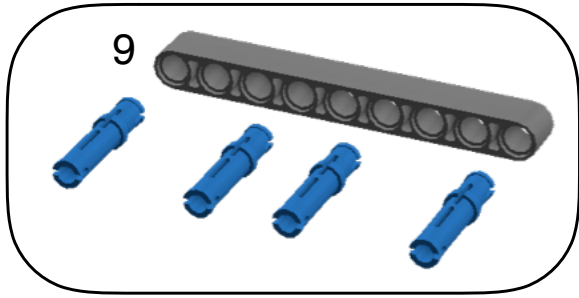


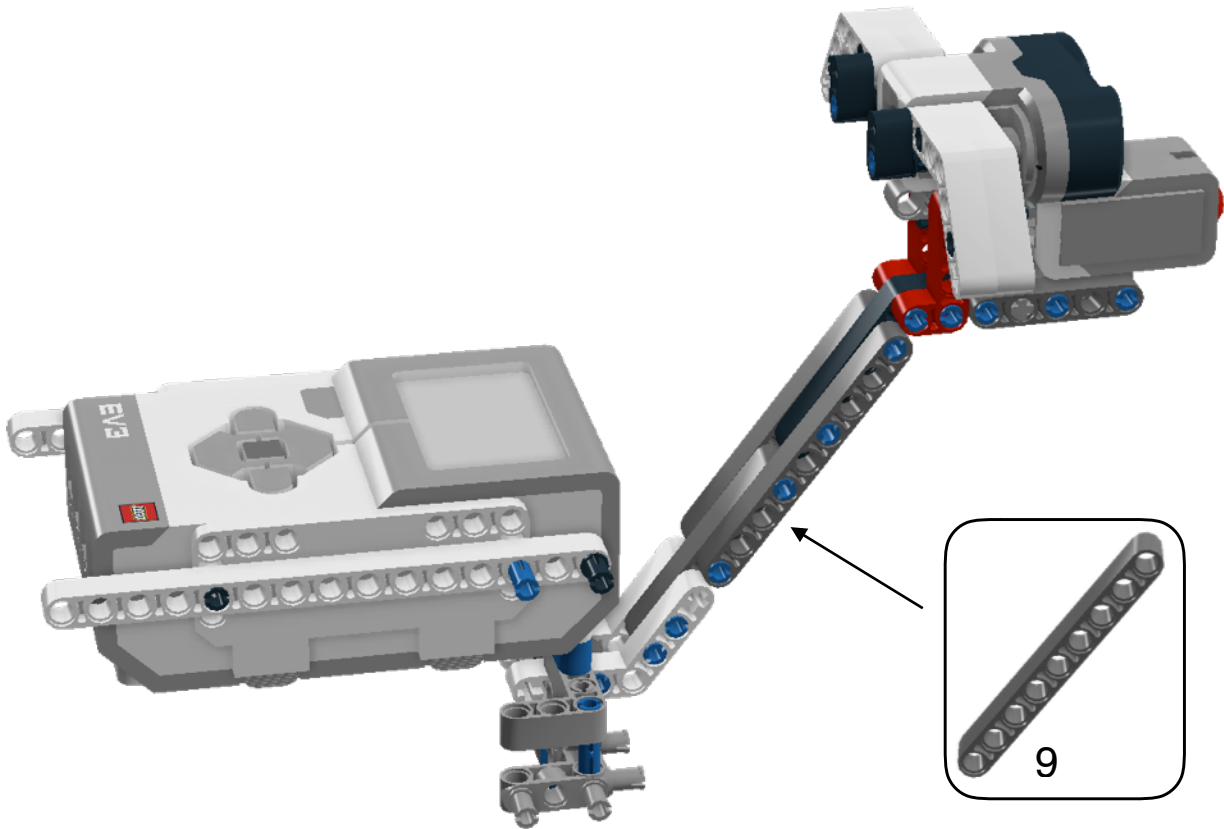
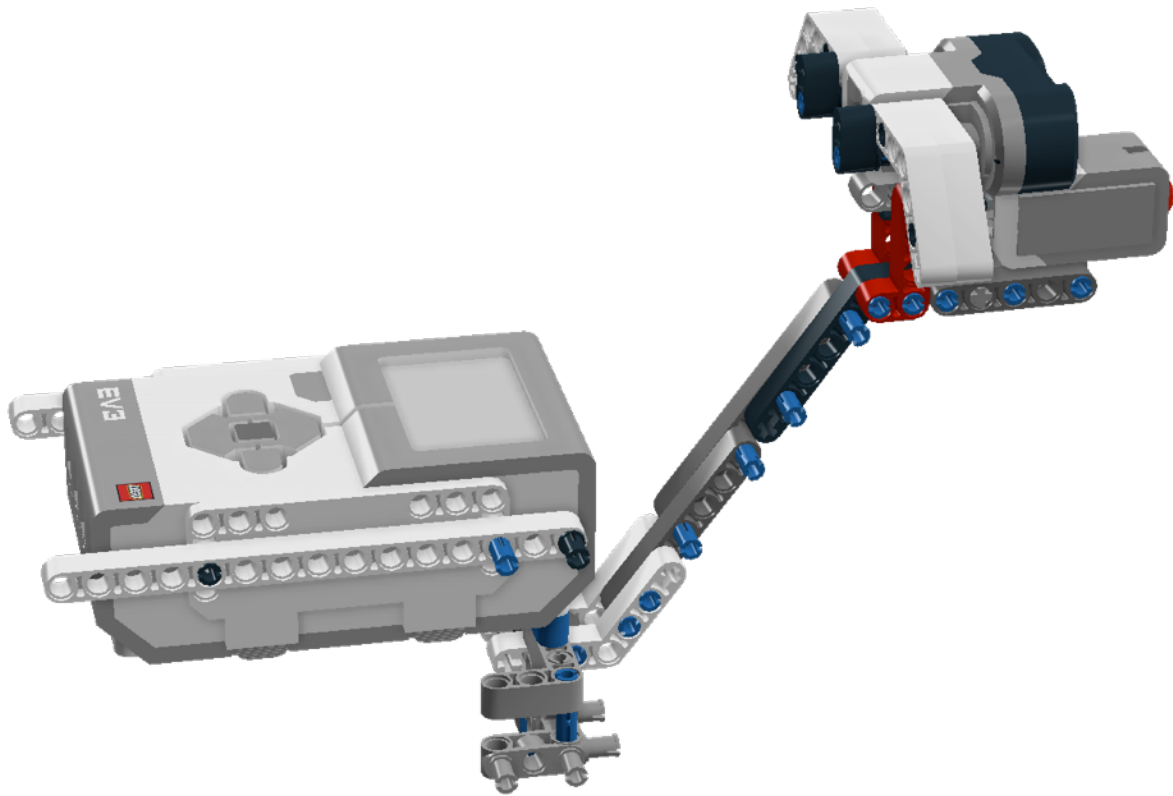
EZPup Final Assembly

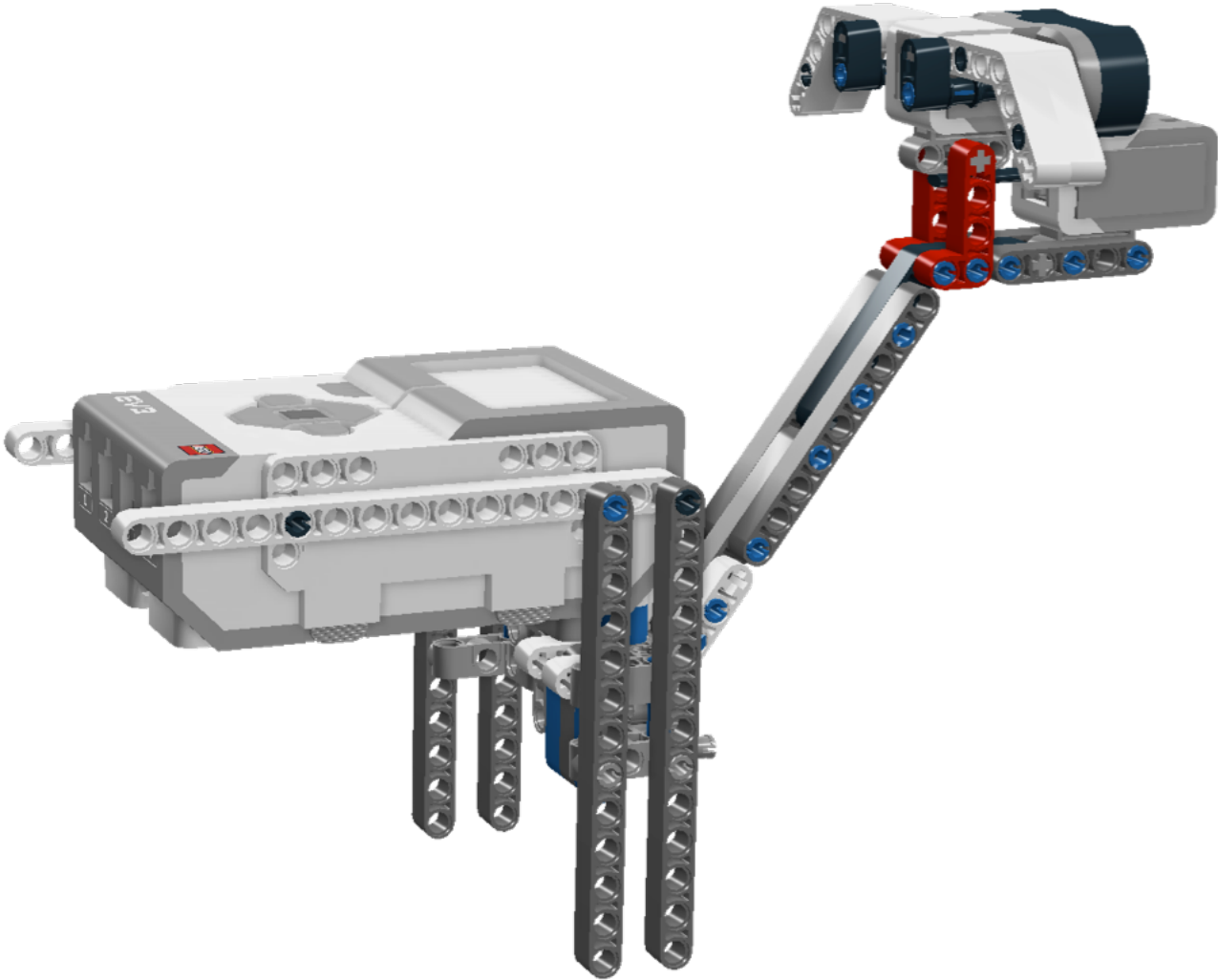
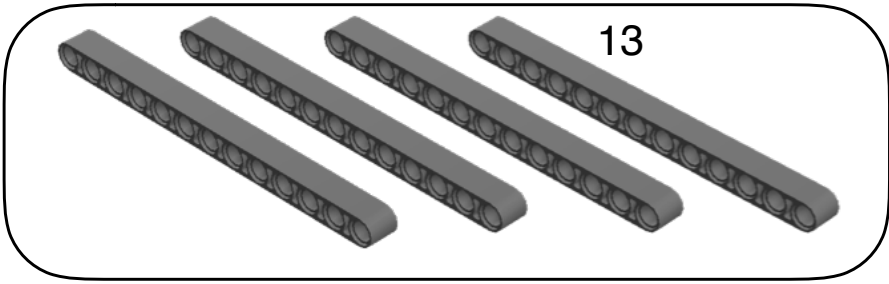


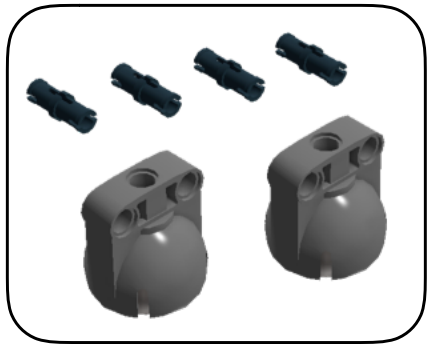


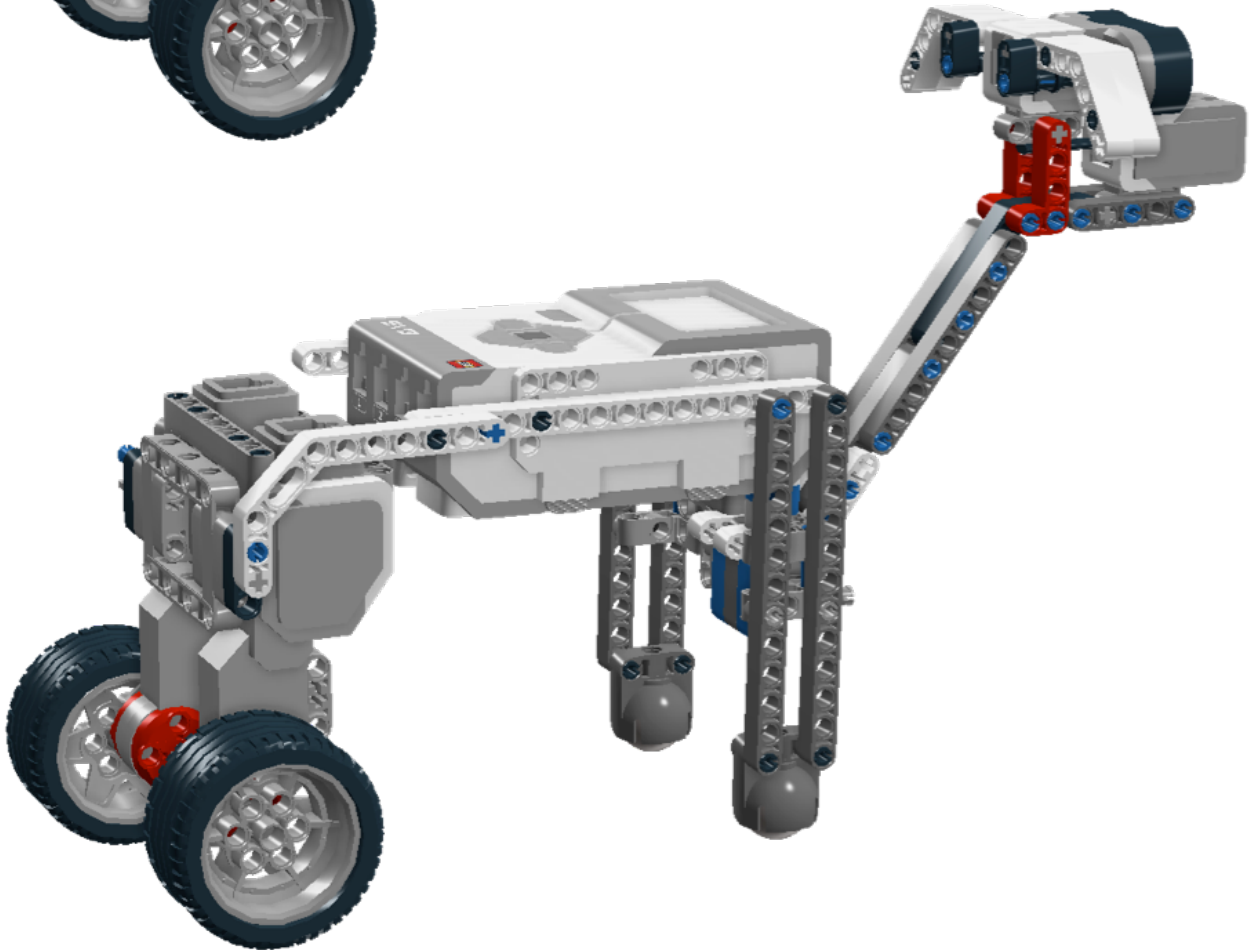
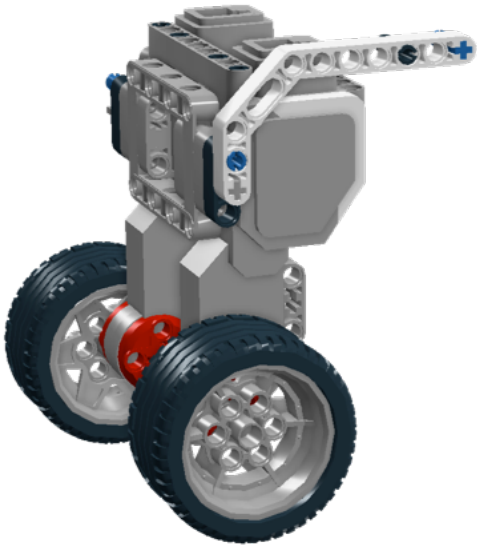
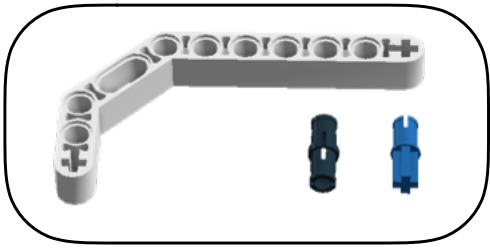




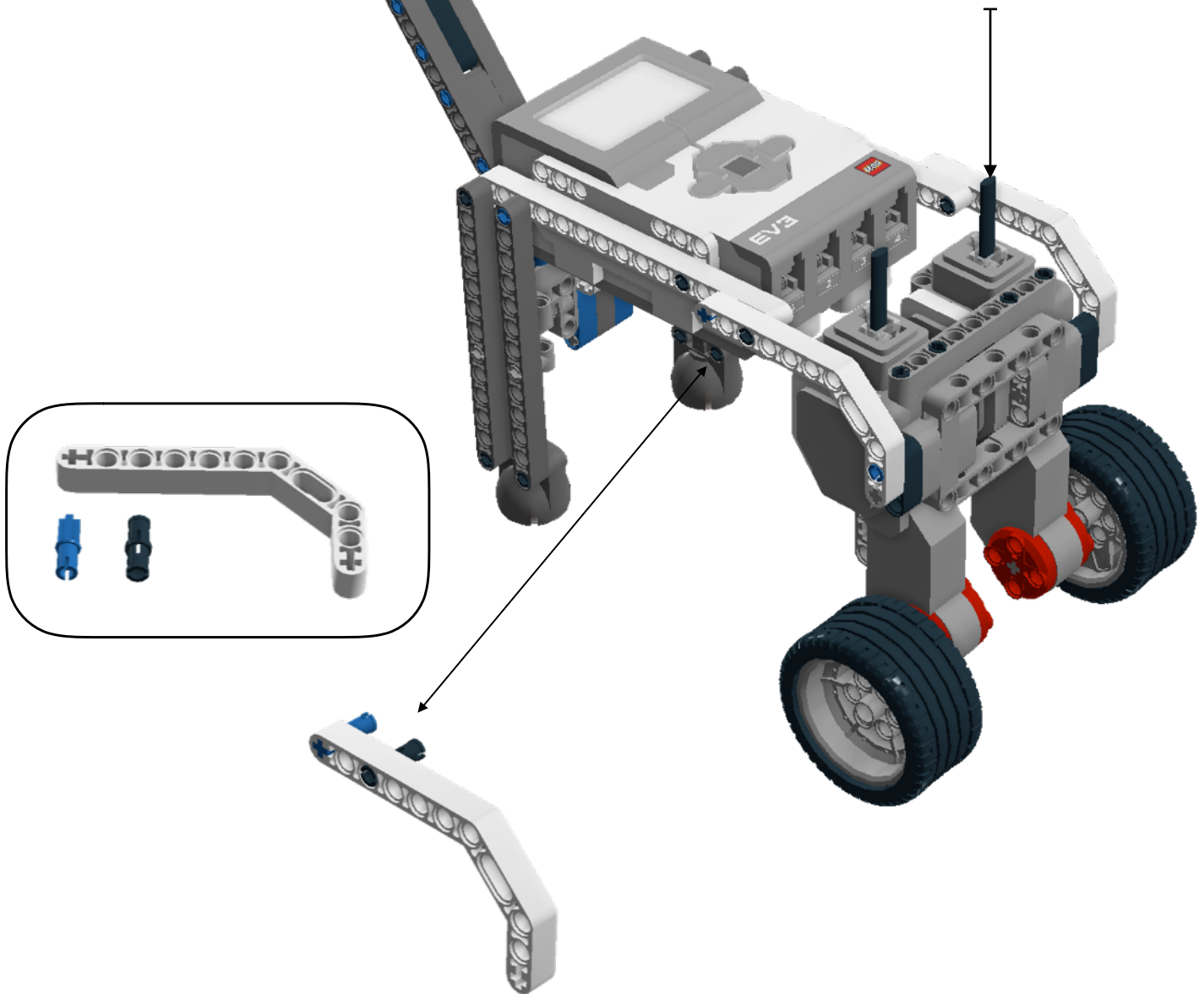


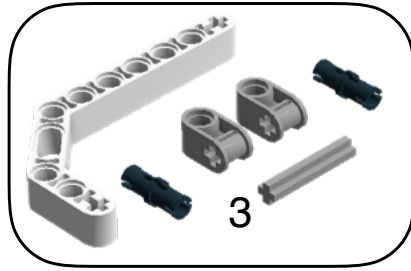






Run motor wires under the body.
Default is left motor to port B and
right motor to port C, but you can
program for A, B, C, or D.





Rotate

